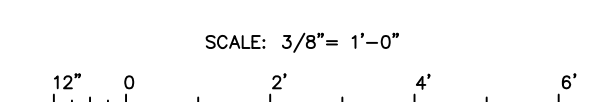
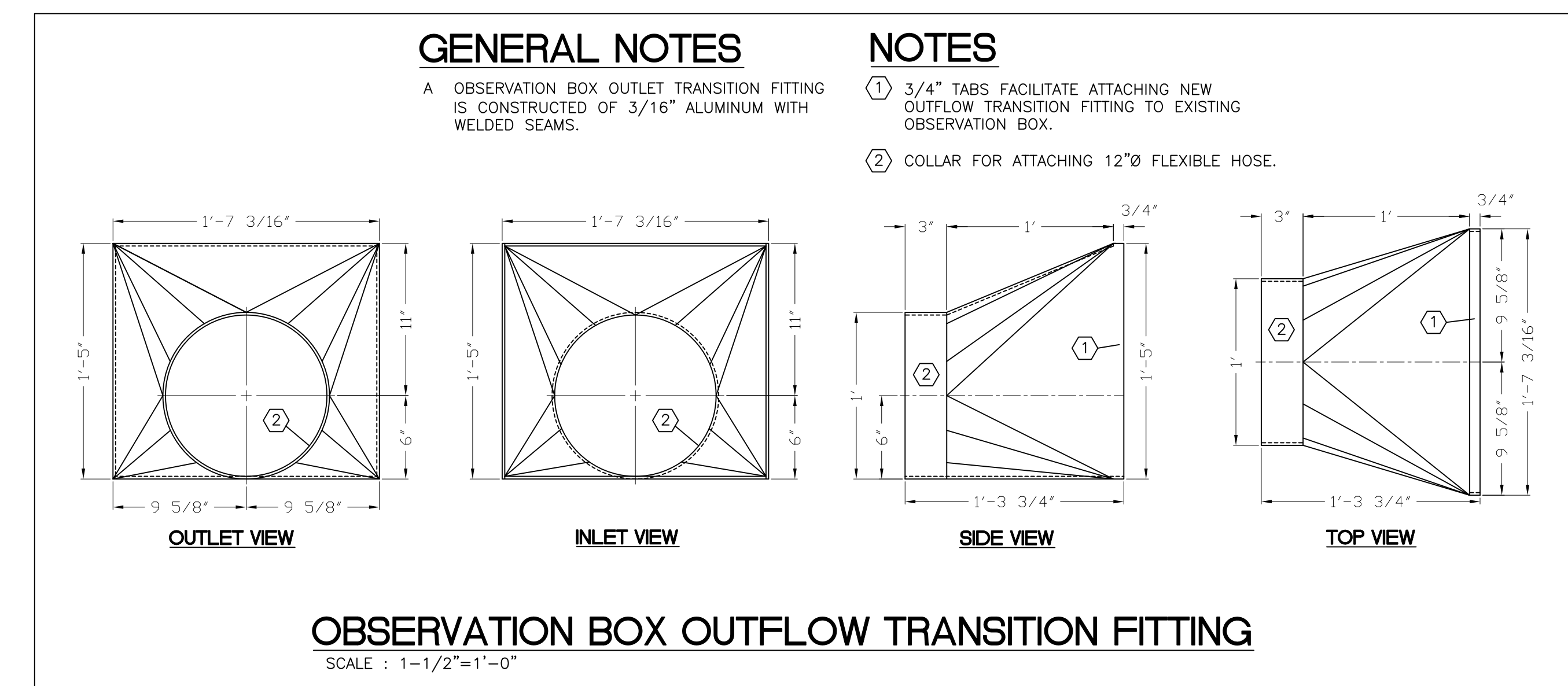
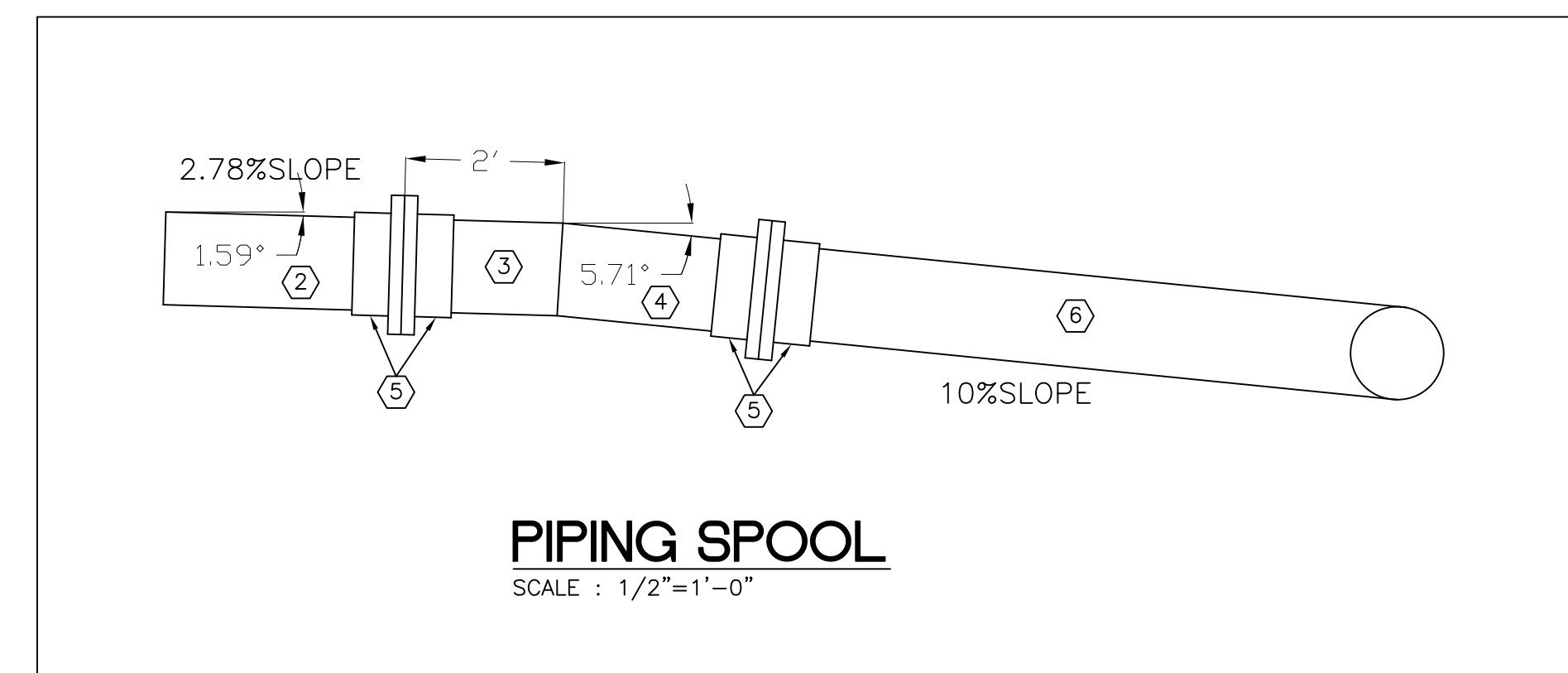


NOTES-MECHANICAL PLAN

- ① POINT OF CONNECTION: NEW TO EXISTING.
- ② EXISTING 14" PVC SCHEDULE 40 PIPING AT 2.78% SLOPE (1" DROP FOR EVERY 36" RUN).
- ③ 24" SECTION OF 14" PVC SCHEDULE 40 PIPE AT 2.78% SLOPE (MATCH EXISTING PIPE SLOPE).
- ④ 14" PVC SCHEDULE 40 PIPE AT 10% SLOPE (REUSING EXISTING 14"PIPE/SPOOL).
- ⑤ 14" PVC VAN STONE STYLE SOCKET FLANGE (TWO PIECE).
- ⑥ 14" PVC SCHEDULE 40 84"RADIUS 90° ELBOW AT 10% SLOPE.
- ⑦ 14" PVC SCHEDULE 40 102"RADIUS 90° ELBOW AT 6.74% SLOPE.
- ⑧ 14" PVC SCHEDULE 40 PIPE AT 6.74% SLOPE (REUSING EXISTING 14"PIPE/SPOOL).
- ⑨ 12" DRAIN HOSE, 6' LENGTH.
- ⑩ EXISTING OBSERVATION BOX.
- ⑪ DRAIN HOSE HOIST. SEE DETAIL THIS SHEET.
- ⑫ SEE OBSERVATION BOX OUTLETFLOW TRANSITION FITTING DETAIL THIS SHEET.
- ⑬ SEE PIPING SPOOL THIS SHEET.



Revisions:

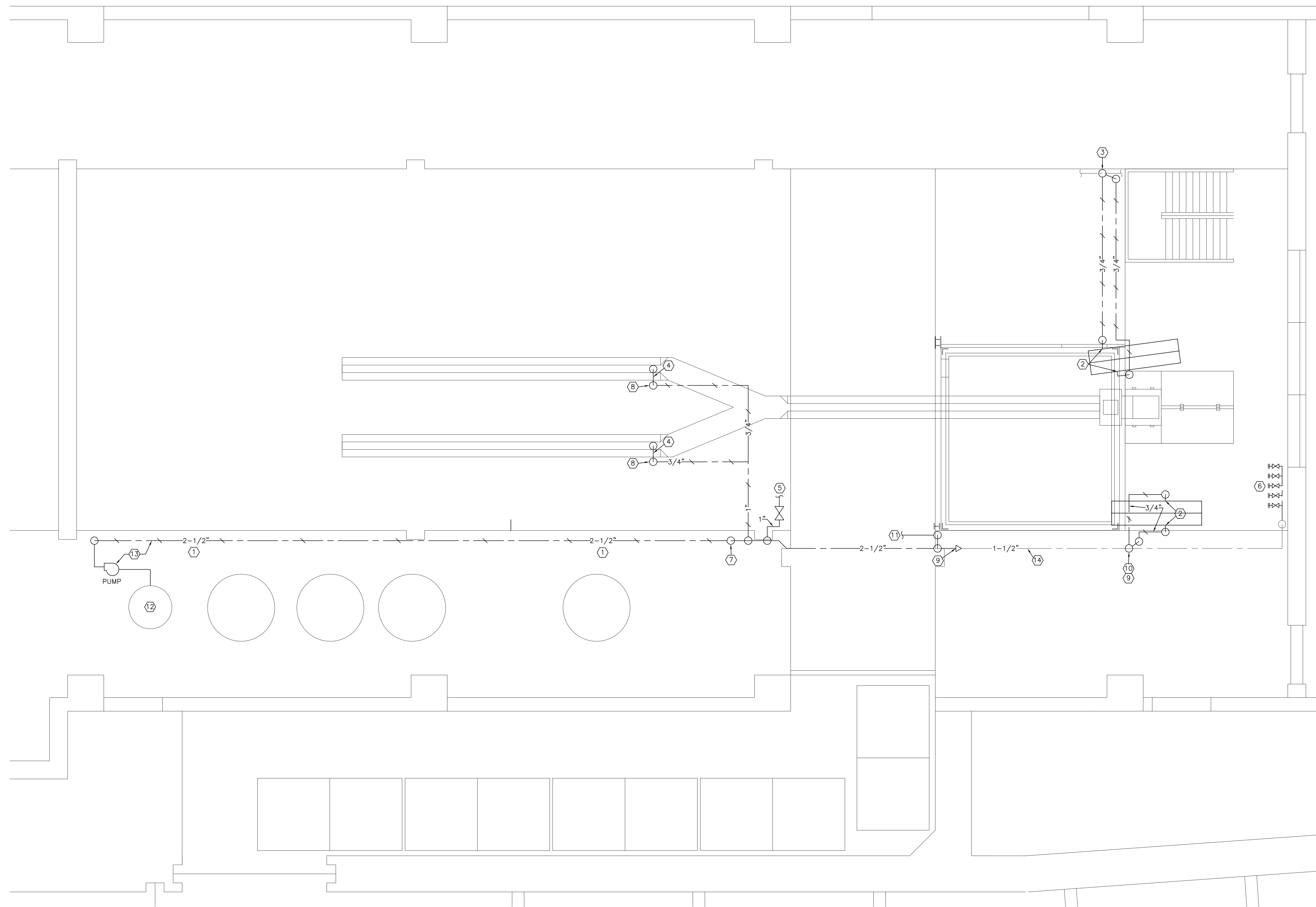
HMI MECHANICAL CONTRACTOR
HEINZ MECHANICAL INC.
2615 N.W. STEHELS ROAD, SUITE 41
PORTLAND, OREGON 97228
PH: (503) 220-0855 FAX: 220-0260
HDI PROJECT NUMBER: 13-08

BONNEVILLE LOCK AND DAM ADULT FISH FACILITY IMPROVEMENTS
BONNEVILLE, OREGON

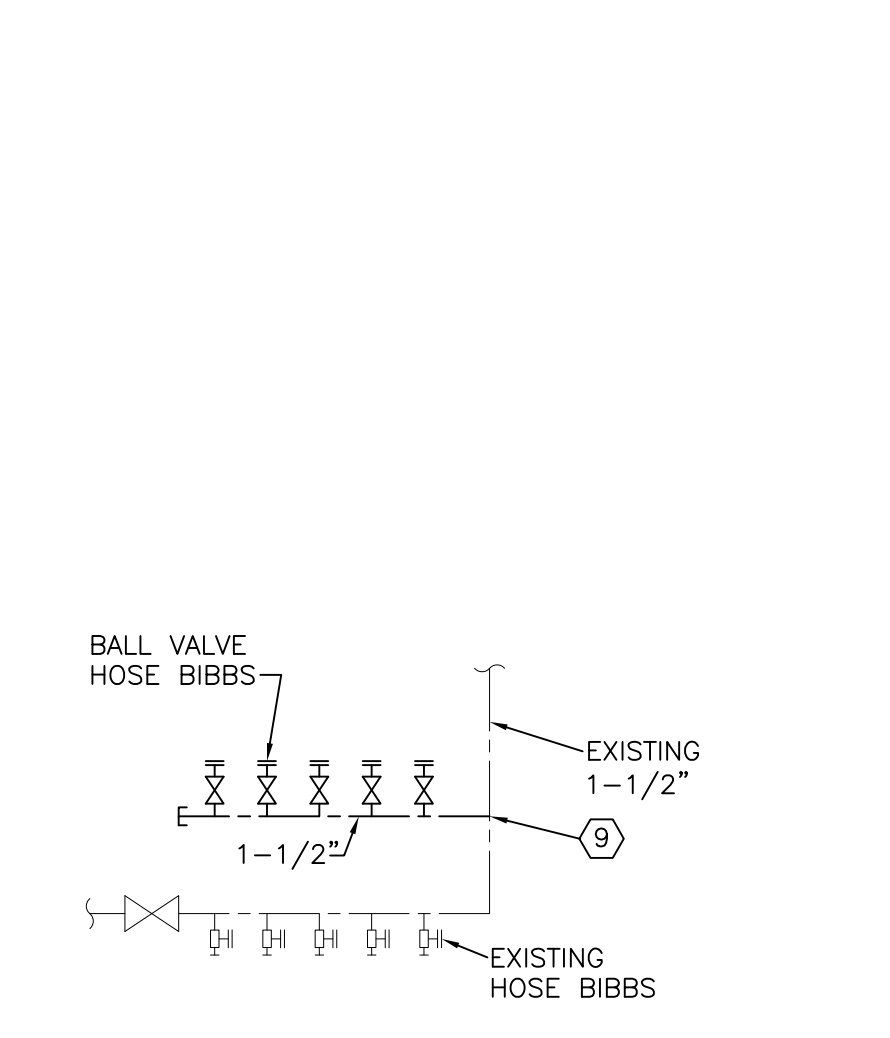
Sheet Title:
MECHANICAL PLAN

Date: 2-14-13
Scale: As Shown
Proj. No.: 13013
Dm By: Ricky Drawhorn
Chk By: Gary Eldridge

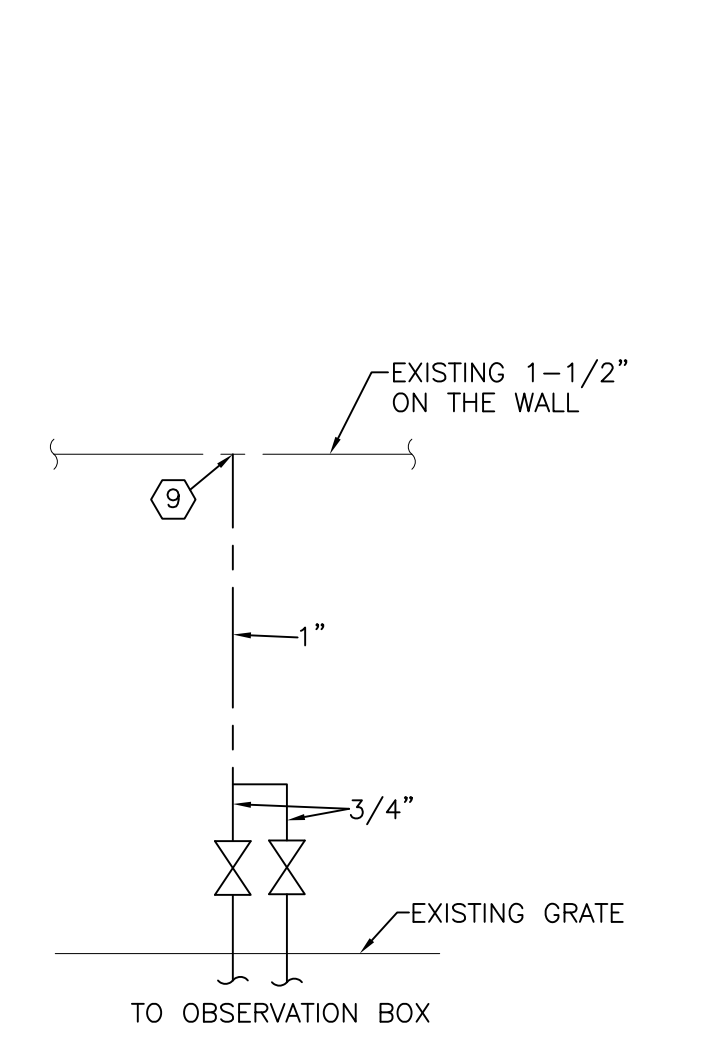
Sheet No.:
M-001



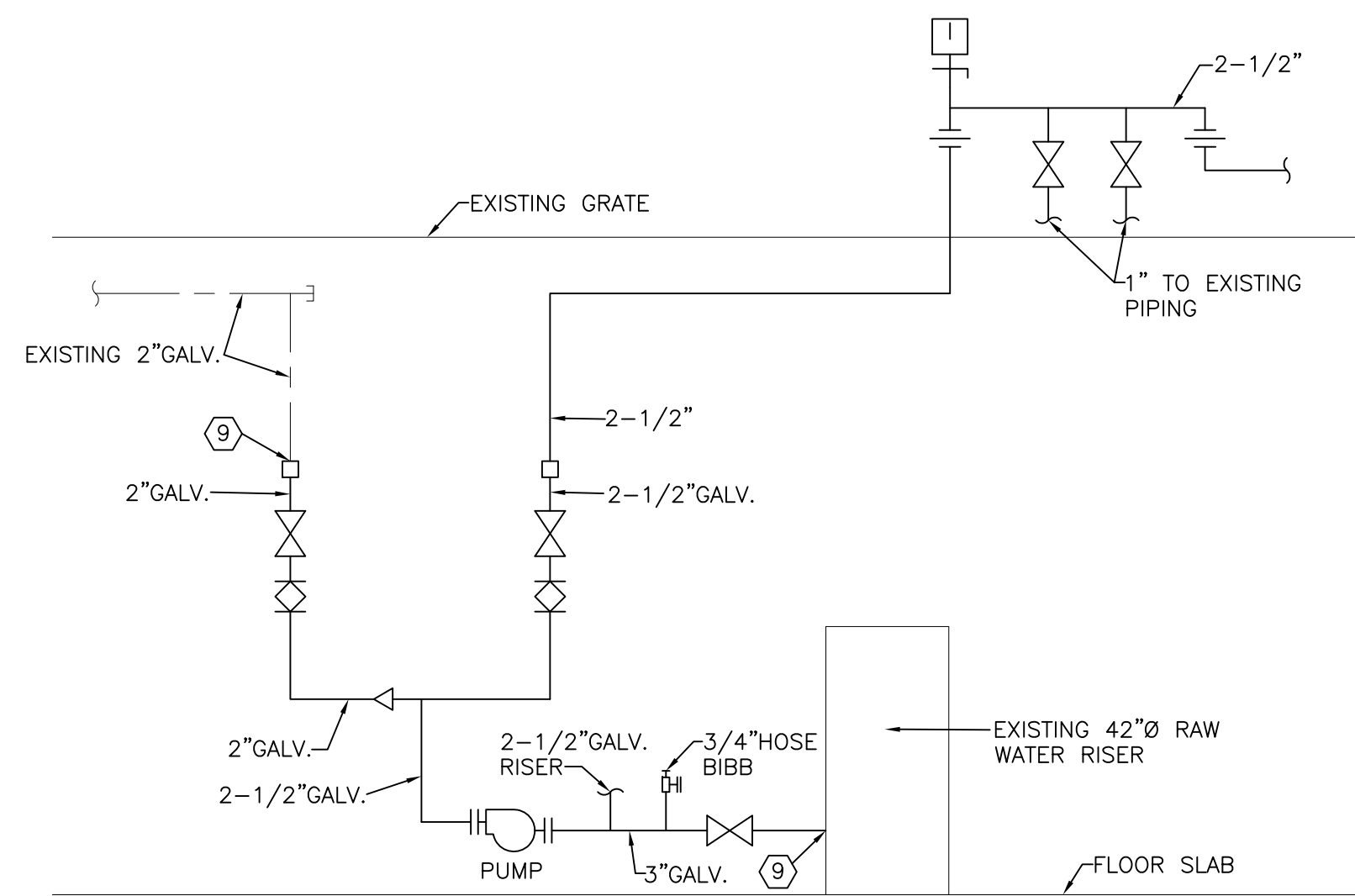
RAW WATER SYSTEM
SCALE : 3/8"=1'-0"



1. PIPING SCHEMATIC
NO SCALE



2. PIPING SCHEMATIC
NO SCALE

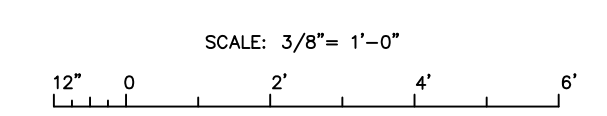


3. PIPING SCHEMATIC
NO SCALE

LEGEND

---	COLD WATER ABOVE FLOOR. (PVC SCH. 80 UNLESS NOTED OTHERWISE.)
- - -	COLD WATER BELOW FLOOR/GRATE. (PVC SCH. 80 UNLESS NOTED OTHERWISE.)
⊗	SHUT OFF VALVE
⊕	UNION
⊙	THERMOMETER
⊕	PRESSURE GAUGE WITH COCK
⊕	CHECK VALVE
⊕	INSTRUMENT TAP
⊕	BALANCING VALVE
⊕	PIPE UP
⊕	PIPE DOWN
⊕	CW
FF	FINISH FLOOR ELEVATION
SOV	SHUT OFF VALVE
WHA	WATER HAMMER ARRESTOR W/ ACCESS PANEL
AP	ACCESS PANEL
Ⓜ	NOTES THIS SHEET (EXAMPLE IS #6)

- NOTES**
- ① 2-1/2" CW TO REPLACE EXISTING 1-1/2" CW.
 - ② CONNECT TO EXISTING OBSERVATION BOX.
 - ③ CONNECT TO EXISTING 1-1/2" CW. SEE PIPING SCHEMATIC 2/M-005.
 - ④ 3/4" CW GOOSENECK ABOVE GATEWAY.
 - ⑤ CONNECT TO EXISTING 1" PVC LINE.
 - ⑥ SEE PIPING SCHEMATIC 1/M-005.
 - ⑦ 2-1/2" CW UP THRU GRATE.
 - ⑧ BALL VALVE IN RISE.
 - ⑨ POINT OF CONNECTION: NEW TO EXISTING.
 - ⑩ 1" CW DN TO OBSERVATION BOX SIMILAR TO PIPING SCHEMATIC 2/M-005.
 - ⑪ CONNECT TO EXISTING PIPING.
 - ⑫ EXISTING 42" RAW WATER RISER.
 - ⑬ SEE 3/M-005 PIPING SCHEMATIC.
 - ⑭ EXISTING TO REMAIN.



Revisions:

HMI MECHANICAL CONTRACTOR
HEINZ MECHANICAL INC.
2615 N.W. STEHELS ROAD, SUITE 41
PORTLAND, OR 97201
PH: (503) 220-0885 FAX: 220-0260
HDI PROJECT NUMBER: 13-08

BONNEVILLE LOCK AND DAM ADULT FISH FACILITY IMPROVEMENTS
BONNEVILLE, OREGON

Sheet Title:
RAW WATER SYSTEM

Date: 2-14-13
Scale: As Shown
Proj. No.: 13013
Dm By: Ricky Drawhorn
Chk By: Gary Eldridge

Sheet No.: **M-005**